

40K45G-A Mobile Self-Contained Emergency Safety Shower

The 114 liter (30 US Gallon) capacity unheated mobile self-contained emergency safety shower with eye/face wash unit. Suitable for temporary use and capable of delivering a constant flow of water for 1-1/2 minutes, the design features a polypropylene lined cylinder, a stainless steel frame and large pneumatic tires, making it easy to maneuver by one person. Built-in A-frame with towing hitch makes it simple to move longer distances or over uneven surfaces by using any small vehicle fitted with a standard towball. In addition, the wheel spacing can be altered allowing the unit to fit through standard door openings.



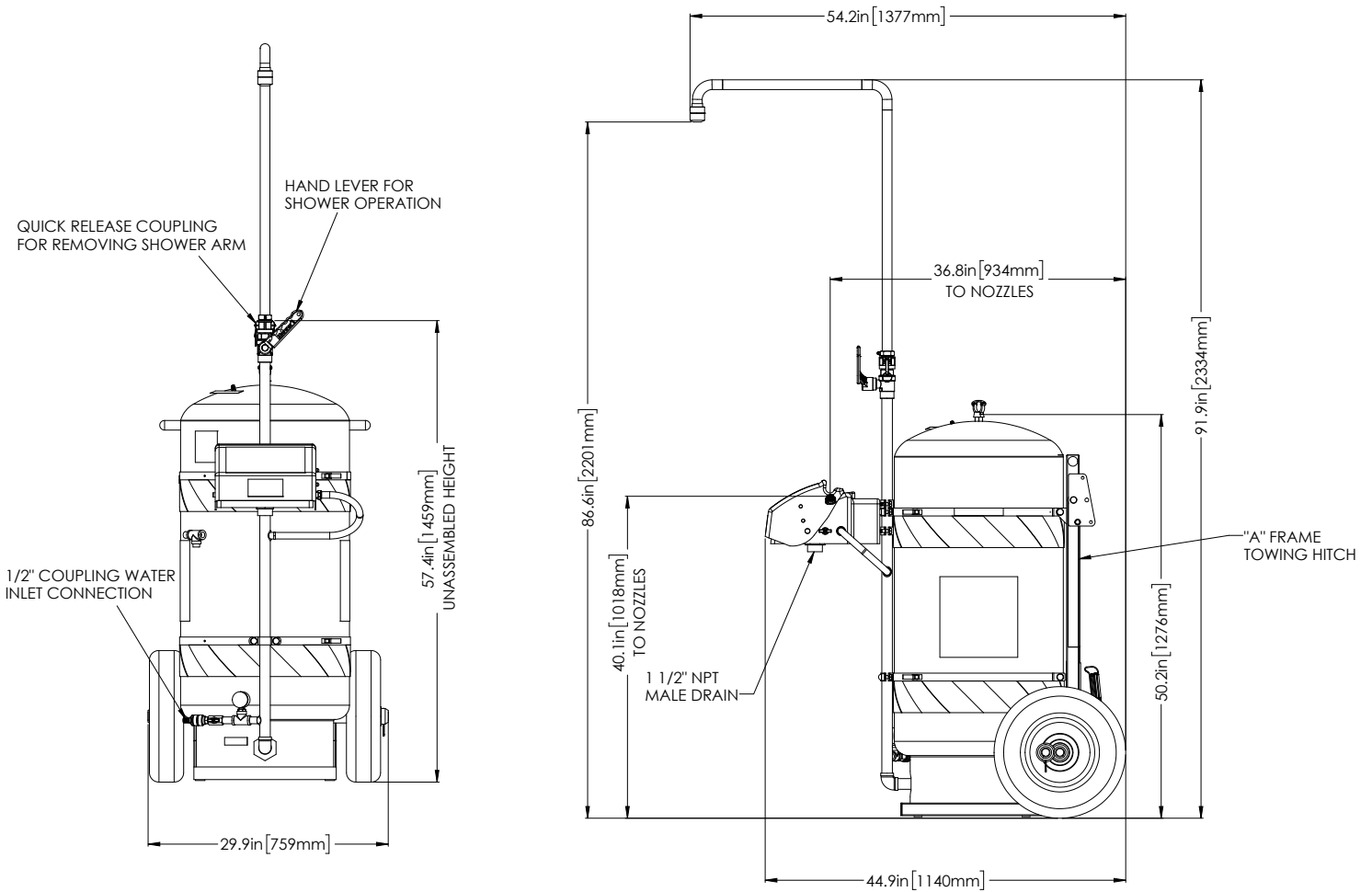
Specifications

MATERIALS OF CONSTRUCTION	
PIPWORk & FITTINGS	Stainless steel
OPERATING VALVE	316L stainless steel, two piece stay open valve
SHOWER SPRAY OUTLET	Machine molded nylon 6 red shower nozzle
STANDARD FINISH	White gloss painted tank
SERVICES	
WATER INLET	1/2 in coupling
DESIGN OPERATING PRESSURE	2.0 to 6 BAR G (29 to 87 PSI)
TEST PRESSURE	10.3 BAR G (149 PSI)
MINIMUM FLOW RATES	Shower: 76 liters/minute minimum (20 US Gallons). Eye/face wash: 11.4 liters/minute minimum (3 US Gallons)
ENVIRONMENTAL OPERATING TEMPERATURE	
MINIMUM AMBIENT OPERATING TEMPERATURE	5° C (41° F)
MAXIMUM AMBIENT OPERATING TEMPERATURE	35° C (95° F)
ACTIVATION/OPERATION	
SHOWER/BODY SPRAY OPERATION	Hand lever
EYE/FACE WASH OPERATION	Pull lid forward
NOMINAL WEIGHTS and DIMENSIONS	
DIMENSIONS (WxDxH)	Non-assembled: 759 mm (29.9 in) x 1140 mm (44.9 in) x 1459 mm (57.4 in) Assembled: 759 mm (29.9 in) x 1377 mm (54.2 in) x 2334 mm (91.9 in)
WEIGHT	86 kg (190 lb)
CAPACITY	114 liter (30 US Gallons)

Mobile Self-Contained Emergency Safety Shower



800.833.0247 | dooleytackaberry.com



VARIATIONS IN MANUFACTURING AND ASSEMBLY ALLOW FOR ±1/8 in [3 mm] PER THREADED JOINT.

HUGHES

HUGHES-SAFETY.COM

a Justrite® Group Company

Hughes North America Inc.
 457 Campbell Street, Sarnia, Ontario N7T 2J1, Canada.
 Email: info@hughes-safety.com
 Tel: +1 (866) 312 1652

Registered No. 0939240. VAT Registration No. 918 5005 32.
 Hughes Safety Showers Ltd is a Justrite Group Company.

©2017 Hughes Safety Showers